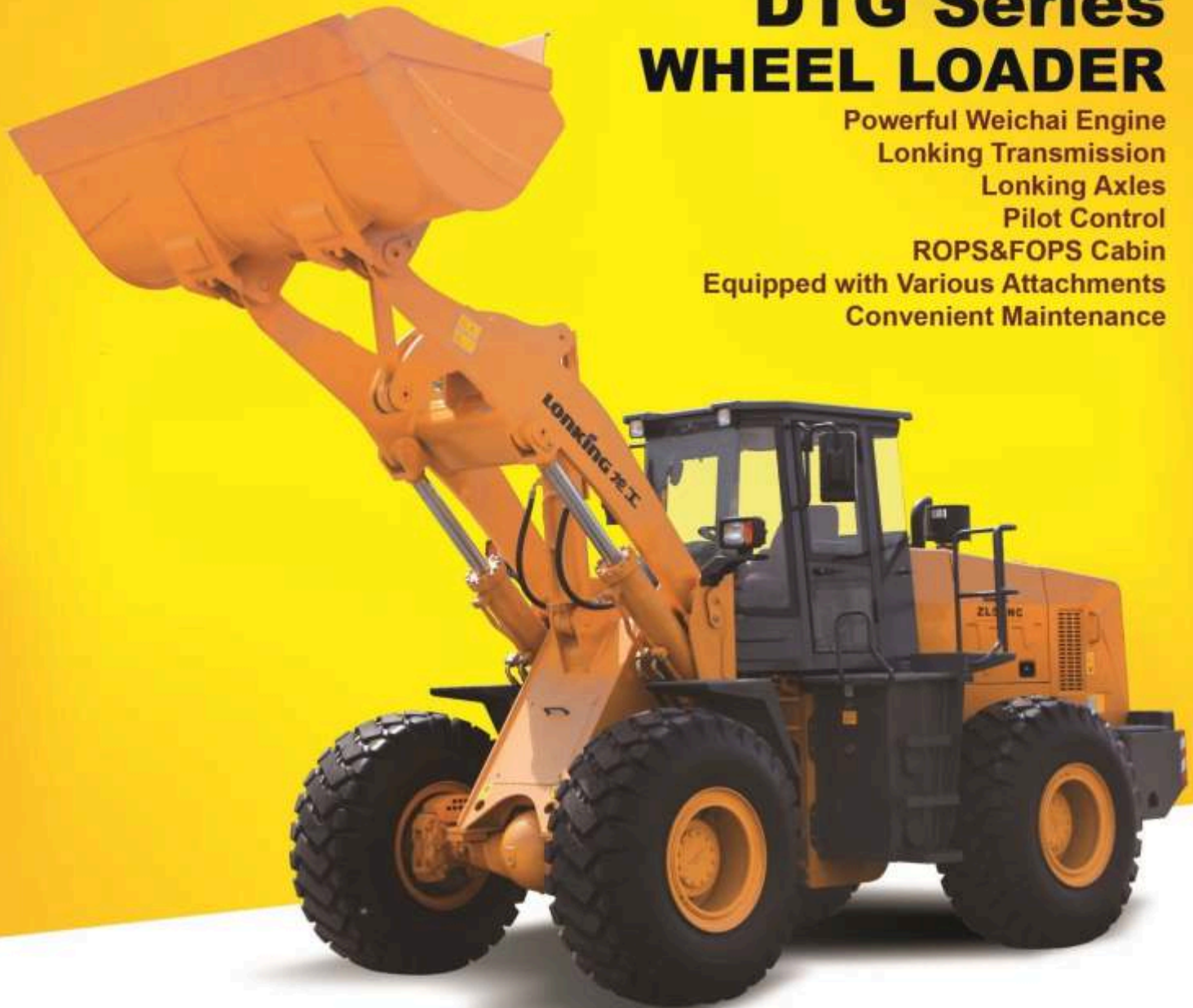


LONKING

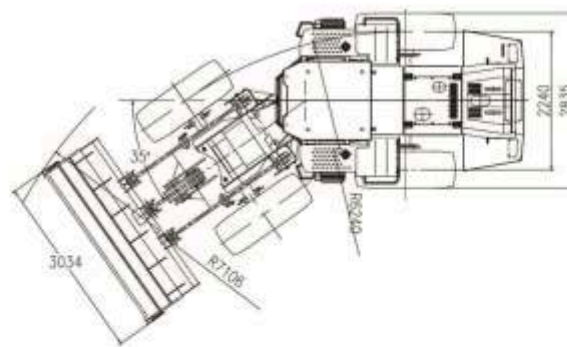
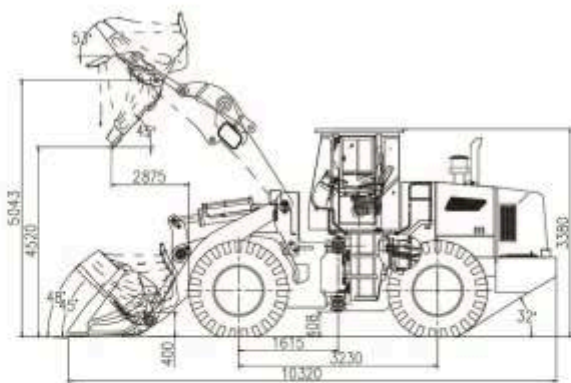
Efficiency Rules the Future

ZL50NC DTG Series WHEEL LOADER

Powerful Weichai Engine
Lonking Transmission
Lonking Axles
Pilot Control
ROPS&FOPS Cabin
Equipped with Various Attachments
Convenient Maintenance



■ RATED POWER:	162kW/2200rpm
■ BUCKET CAPACITY:	3.0 m ³
■ RATED PAYLOAD:	2500kg
■ OPERATING WEIGHT:	17900kg



OVERALL DATA

Bucket Capacity (m ³)	3
Rated Payload (kg)	2500
Operating Weight (kg)	17900±300
Traction Force (kN)	160±3
Breakout Force (kN)	185±3
L×W×H(mm)	10320×3034×3380

Travel Speeds (km/h):

	I	II
Forward	11.5	36.0
Reverse	16.0	

ENGINE

WEICHAI WD10G220E21

Rated Power (kW-hp/rpm)	162-(220)/2200
Peak Torque (Nm/rpm)	860/1400-1600
Starting Voltage (V)	24

DRIVE TRAIN

Torque Converter	Single-stage, Duo-turbine, 4-element
Torque Ratio	4.0
Transmission	Planetary Powershift Transmission
Gear	2F/1R
Pressure of Transmission (MPa)	1.2-1.5
Main Reducer	Spiral Bevel, 1-stage Reduction
Final Reducer	Planetary Reduction
Tire	23.5-25 L-3 16PR TT

BRAKE SYSTEM

Service Brake	Single Circuit Caliper Air Brake
Setting Pressure (MPa)	0.70-0.78
Parking Brake	Air Actuated Caliper Brake
Emergency Brake	Air Actuated Caliper Brake

STANDARD

WEICHAI Engine
Lonking Transmission
Lonking Axle
Standard Bucket-3.0m³
Pilot Control
ROPS&FOPS Cabin
Heating Radiator

OPTIONAL

Rock Bucket(K)-3.0m³
Enlarged Bucket (N) -3.5m³
Coal Bucket(M)-4.2m³
High Dump& Coal Bucket(T)-4.2m³
Side Dump(C)
Fork
Grasping Pitchfork

Snow Blade
Wood Fork(J)
High Dump(G)
4 in 1 Bucket-3m³
Quick Change(H)
Radial Tire TT/TL
Air Conditioner/Fan Heater

STEERING SYSTEM

Type	Hydraulic Load Sensing System
Cylinders-borexStroke (mm)	2-100×324
Steering Pump	Gear Pump
System Pressure (MPa)	15
Flow Rate (L/min/rpm)	176/2200
Steering Angle	±35°

HYDRAULIC SYSTEM

Lift Cylinders-borexStroke(mm)	2-180×721
Tilt Cylinder-borexStroke (mm)	1-200×563
Model of Implement Pump	Gear Pump
Flow Rate (L/min/rpm)	220/2200
System Pressure (MPa)	16
Pilot Control System Pressure (MPa)	2.5

Hydraulic Cycle Time, Rated Load in Bucket (In Second)

Raise (Loaded)	Dump	Lower (Empty)	Total
6.0	1.2	3.8	11.0

ELECTRICAL SYSTEM

System Voltage (V)	24
Battery(2 in series) (Ah)	120
Lamp Voltage (V)	24

SERVICE REFILL CAPACITY

Fuel Tank (L)	245
Hydraulic Tank (L)	220
Crankshaft (L)	20
Transmission (L)	45
Front Axle (L) / Rear Axle (L)	25/25

AC SYSTEM(OPTIONAL)

Heating Capacity (W)	5800(±10%)
Cooling Capacity (W)	4500(±10%)

**For more information on Lonking products,
please visit www.lonkinggroup.com**